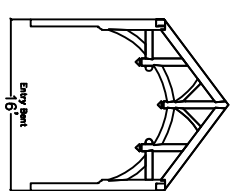
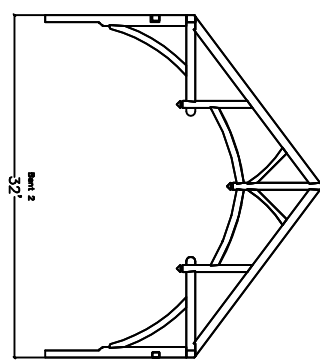
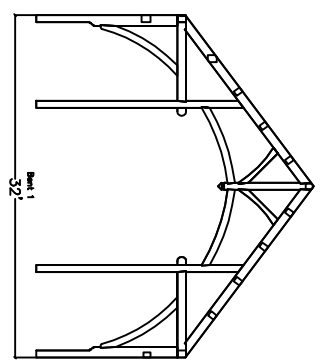
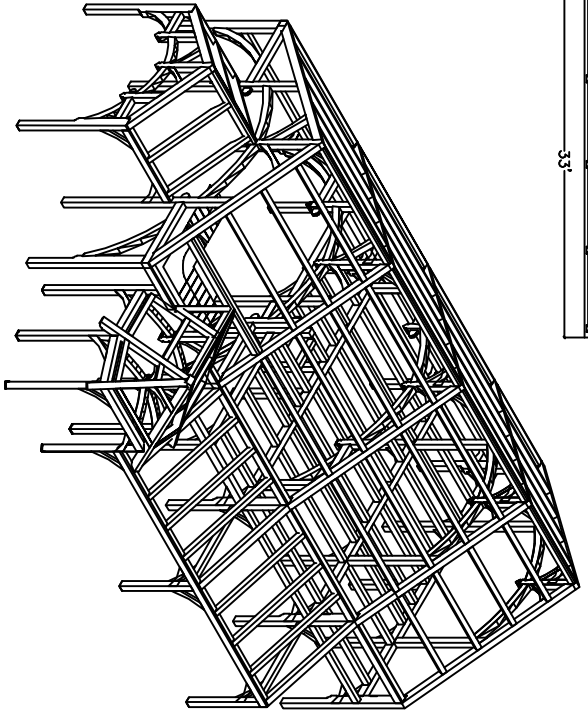


MAIN FLOOR PLAN



Yellowstone
 Frame Style: Contemporary Hybrid
 Additions: Dramatically Arched Hammerbeam and Queen Post Bents, Half Dome Dining Area, Timberframed Entry and Porches
 First Floor: 1864
 Second Floor: 801
 Entry: 72
 Porches: 999
 Total Timberframe: 3736