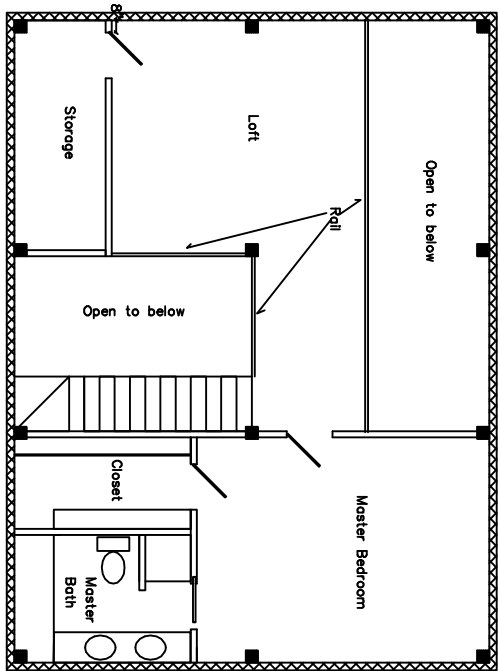
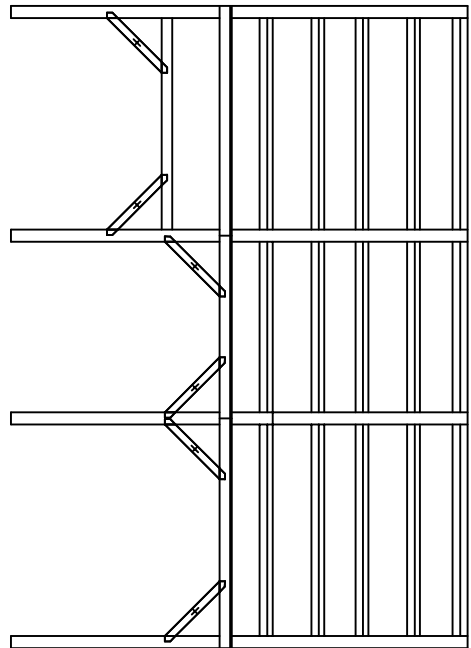


First Floor Plan

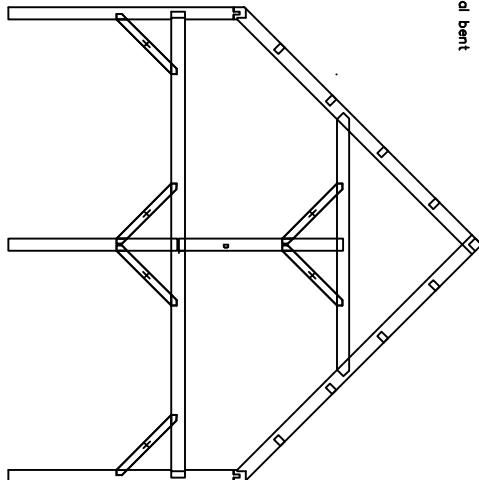
Note: This home sets over a full basement which houses the utilities, and a two car garage.



Second Floor Plan



Typical bent



Pinion
Frame Style: Tall posted cape
Additions: None
First floor: 915
Second floor: 646
Total timber frame: 1561

Wind River Timberframes

14374 County Road 35.6 * Mancos, Colorado 81328 * (970) 882-2112